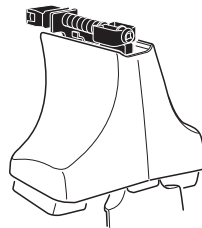


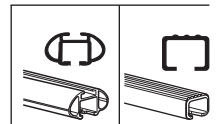
Kit 1442

VOLKSWAGEN Passat (B6), 4-dr Sedan, 05- / *06-

*North America





750



THULE[®]
SWEDEN


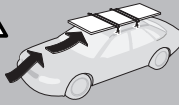
ISO 11154-E



 xx kg
 xx lbs


 7 kg
 15,4 lbs


=

**Max.
75kg**
**Max.
165 lbs**



 80 km/h
 50 Mph
 130 km/h
 80 Mph
 40 km/h
 25 Mph
 km/h
 Mph


THULE

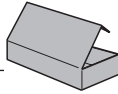



+

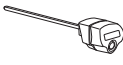
Kit XXXX
 instructions

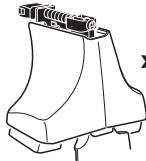









x1



x4

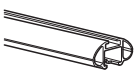

x4

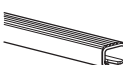
750

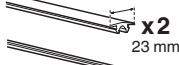


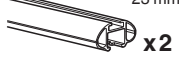





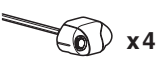

x2



x2



x2



x2



x4

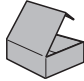

x4



x1



x2

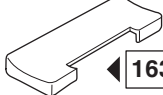

x4



x4




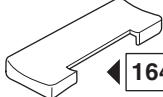

897 x1

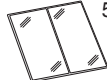

725 x1



163 x2


898 x1


726 x1

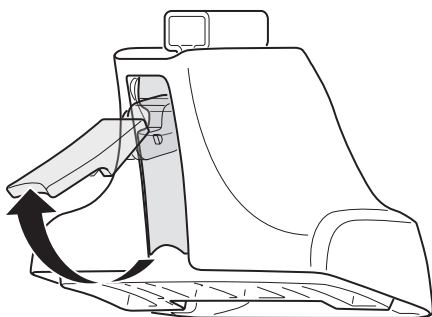

164 x2


50993 x2


x1

Kit

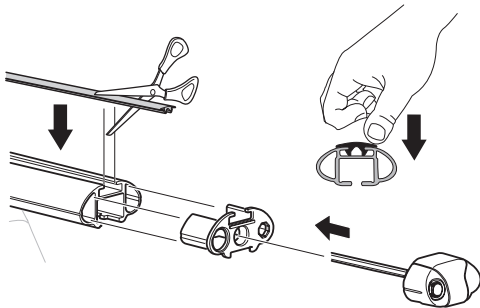
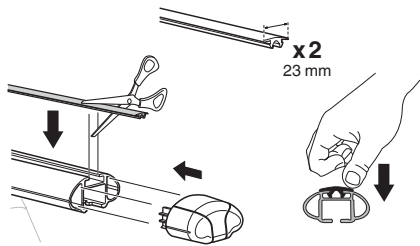
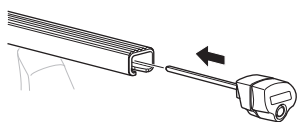
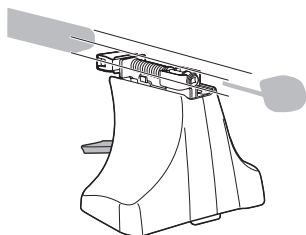
1



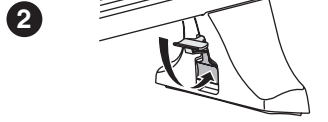
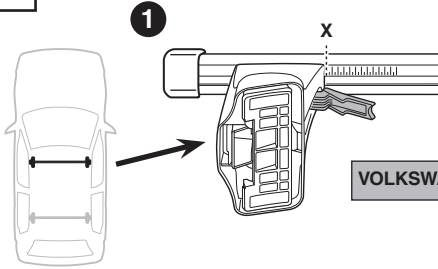
2



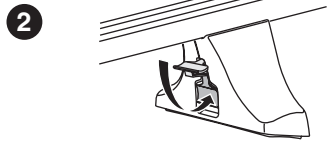
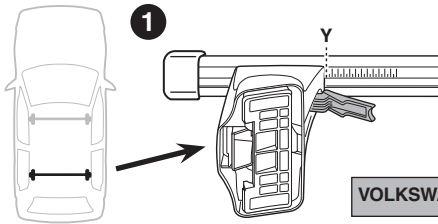
+



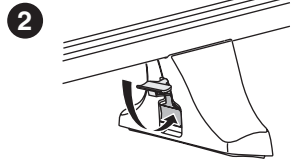
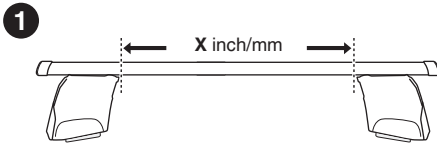
3



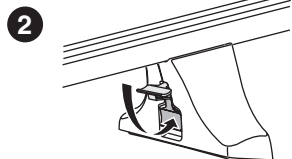
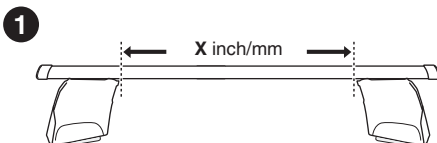
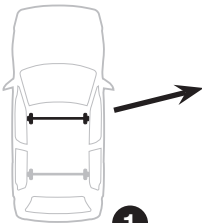
	X
VOLKSWAGEN Passat (B6), 4-dr Sedan, 05- / *06-	40,5



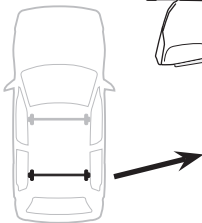
	Y
VOLKSWAGEN Passat (B6), 4-dr Sedan, 05- / *06-	39



	X inch	X mm
VOLKSWAGEN Passat (B6), 4-dr Sedan, 05- / *06-	41 5/8"	1056 mm



	Y inch	Y mm
VOLKSWAGEN Passat (B6), 4-dr Sedan, 05- / *06-	41"	1041 mm



4

VOLKSWAGEN Passat (B6), 4-dr Sedan, 05- / *06-

164



897



FL



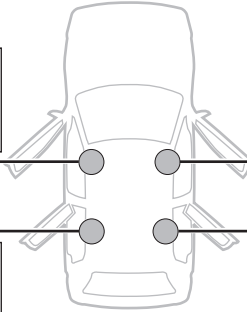
163



898



FR



163



725



RL



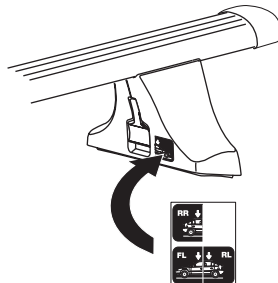
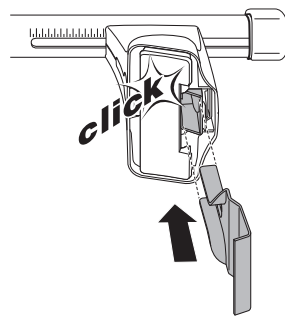
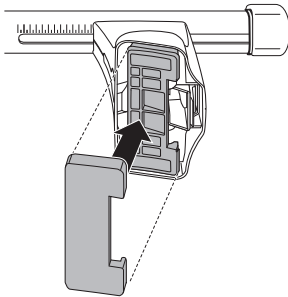
164



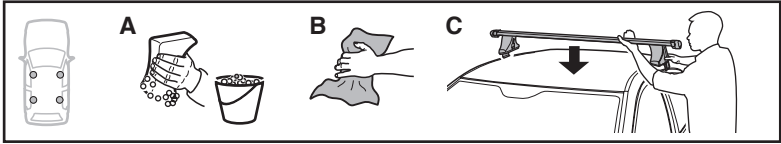
726



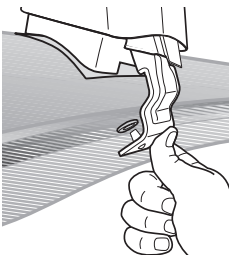
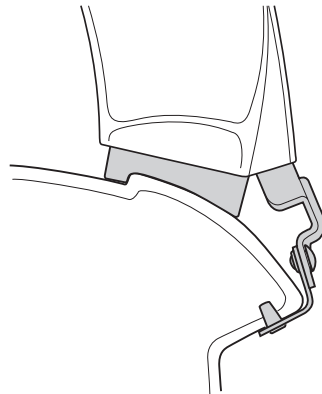
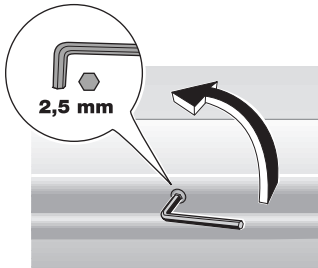
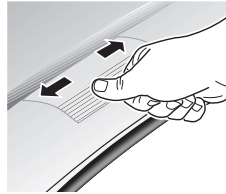
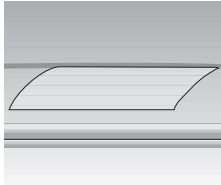
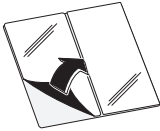
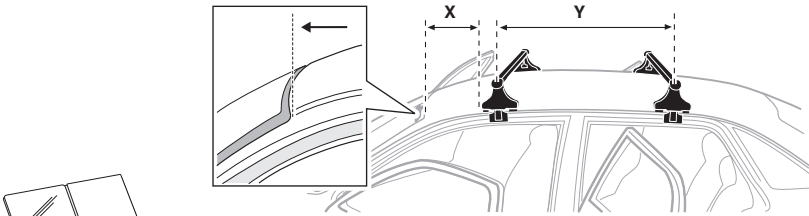
RR



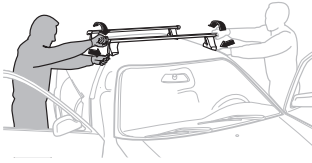
5



	X mm	Y mm	X inch	Y inch
VOLKSWAGEN Passat (B6), 4-dr Sedan, 05- / *06-	270 mm	775 mm	10 5/8"	30 1/2"



6



GB/US Tighten alternately
 D Die Schrauben abwechselnd anziehen
 F Serrer alternativement chaque côté
 NL Afwisselend aan de linker- en de rechterkant aandraaien
 I Alternare il serraggio delle viti
 E Apertar alternativamente
 PT Aperte alternadamente
 S Dra åt växelvis
 FIN Kierrä vuorotellen
 EST Pinguldage vaheldumisi
 LAT Pievelciet pamišus
 LIT Užsukinėkite pakaitomis
 PL Śruby dokręcaj naprzemiennie
 RU Затягивайте попеременно

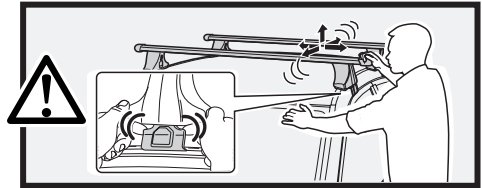
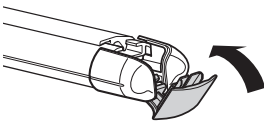
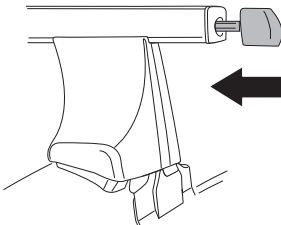
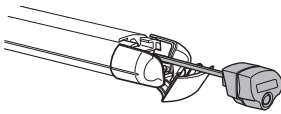
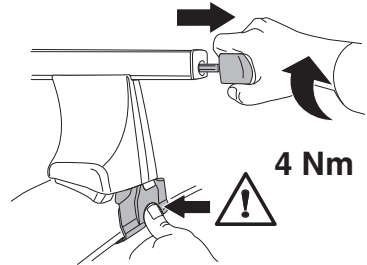
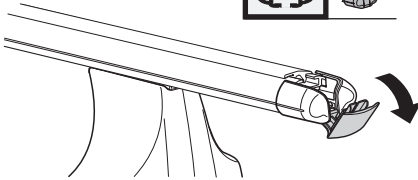
CZ Pokręťta bagażnika dokręcaj naprzemiennie.
 SK Dofahujte striedavo
 SLO Privijajte izmenično.
 HR Naizmjenično zategnite
 HU Egymástól fűggetlenül szorítandó
 GR Σφιγγετε εναλλάξ
 TR Dönüşümlü sıkın

中文 交替拧紧

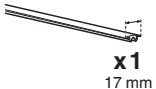
한국어 번갈아 가며 조이십시오.

日本語 交互に締め付けてください。

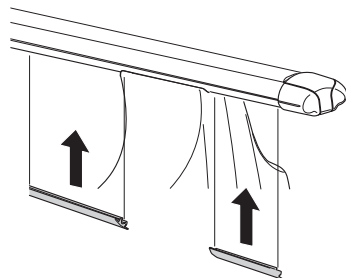
ไทย ชั้นในแบบสลับ

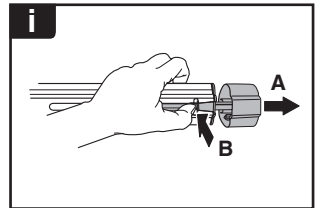
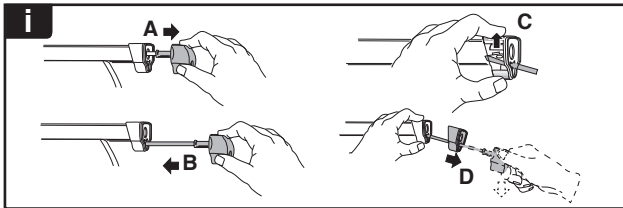
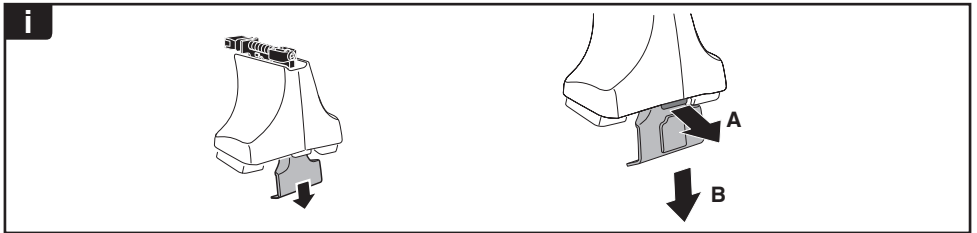
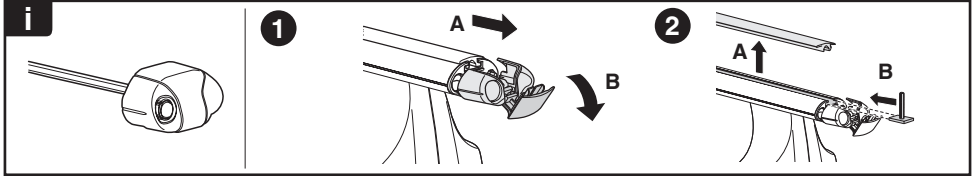
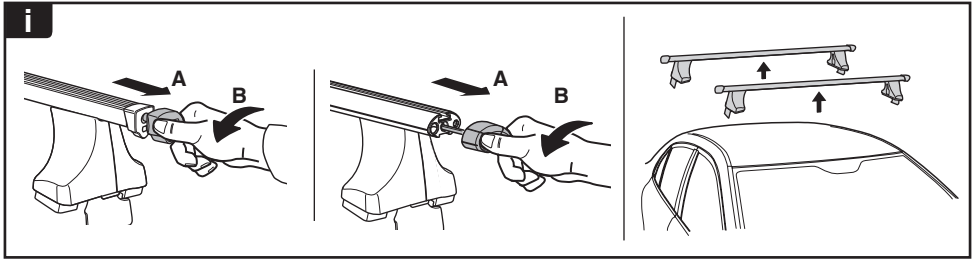


7

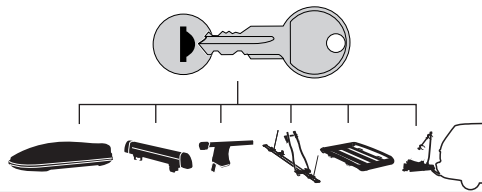


x1
17 mm

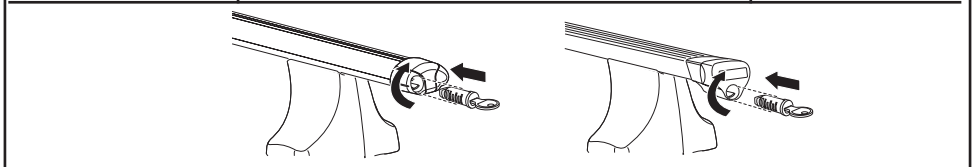




THULE
SWEDEN
**ONE
KEY
SYSTEM**



		(x4)
		(x6)
		(x8)
NA		(x10)
EUR		(x12)
ASIA		



WW ▶ Thule Sweden AB, Box 69, 330 33 Hillerstorp, SWEDEN
NA ▶ Thule Inc., 42 Silvermine Road, Seymour, Connecticut 06483, USA

info@thule.com
customer.service@thule.com

www.thule.com