



Thule Rapid System Kit 1071

> Instructions

TOYOTA Corolla, 3-dr Hatchback, 98-99, 00-03

TOYOTA Corolla, 5-dr Liftback, 98-03

The diagram is divided into four main sections:

- Top Left:** A dashed box containing an information icon (i), a warning triangle, an illustration of a person reading instructions, and two instruction manuals labeled 'B' and 'A'. An arrow points from manual 'B' to manual 'A', which shows a Thule Rapid System 754 rack being installed on a car roof.
- Top Right:** A weight calculation diagram. It shows a bag labeled 'xx kg / xx lbs' plus a rack labeled '7 kg / 15,4 lbs' and two screws labeled '3 kg / 6,6 lbs'. Below this, an equals sign leads to a box containing 'Max. 50 kg' and 'Max. 110 lbs'.
- Bottom Left:** A dashed box containing a warning triangle, three instruction manuals (A, B, and Security), and an illustration of a person reading the manuals.
- Bottom Right:** A diagram of a car with arrows indicating the rack's position. A speedometer graphic shows a warning triangle between 80 km/h (50 Mph) and 130 km/h (80 Mph), with a note that the limit is 40 km/h (25 Mph) below 80 km/h.

ISO 11154-E

141071

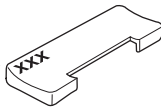
C.20140217
519-1071-01

Bring your life

thule.com



04 x4



158 x4



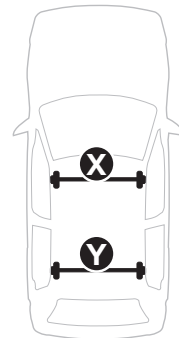
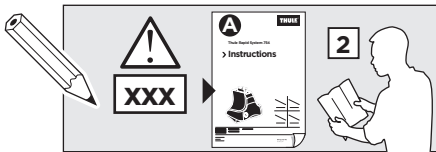
x1



x1

1

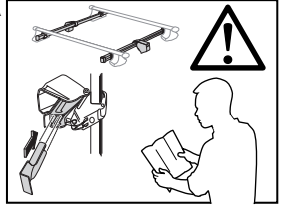
	X (scale)	X (mm)	X (inch)
TOYOTA Corolla , 3-dr Hatchback, 98-99, 00-03	29,5	946	37 1/4
TOYOTA Corolla , 5-dr Liftback, 98-03	29,5	946	37 1/4



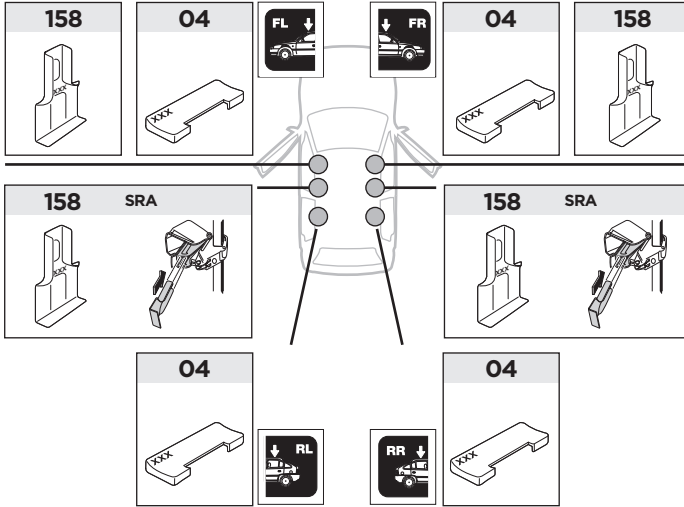
	Y (scale)	Y (mm)	Y (inch)
TOYOTA Corolla , 3-dr Hatchback, 98-99, 00-03	25	901	35 1/2
TOYOTA Corolla , 5-dr Liftback, 98-03	29,5	946	37 1/4

2

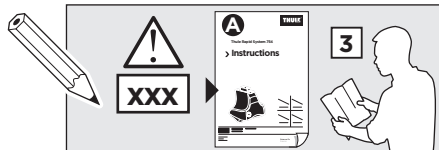
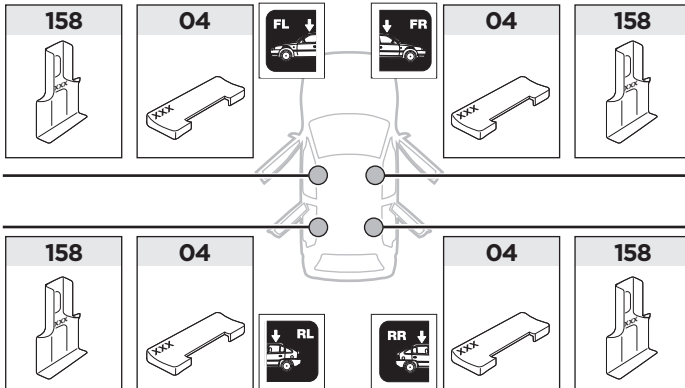
SRA



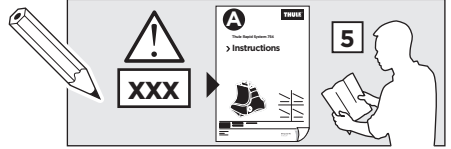
TOYOTA Corolla, 3-dr Hatchback, 98-99, 00-03



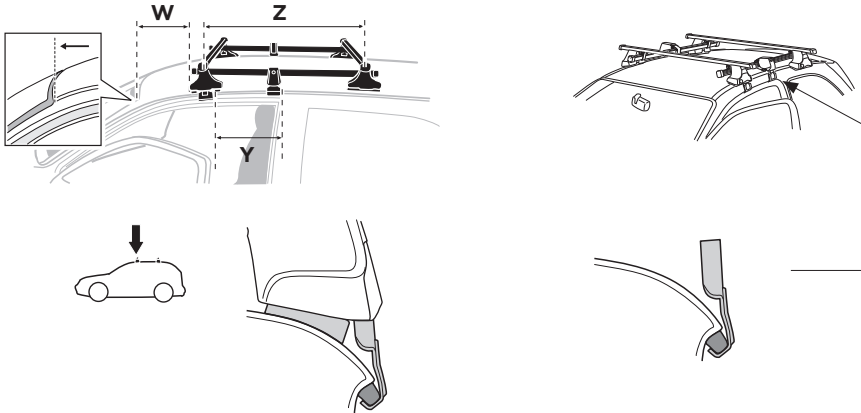
TOYOTA Corolla, 5-dr Liftback, 98-03



3



	W (mm)	Z (mm)	Y (mm)	W (inch)	Z (inch)	Y (inch)
TOYOTA Corolla, 3-dr Hatchback, 98-99, 00-03	260	700	340	10 1/4	27 1/2	13 3/8



	W (mm)	Z (mm)	W (inch)	Z (inch)
TOYOTA Corolla, 5-dr Liftback, 98-03	260	650	10 1/4	25 5/8

